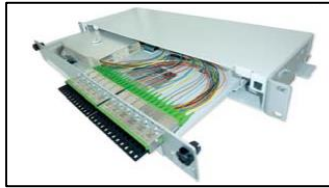


Network Systems ► Distribution Rack ► Main Distribution Rack MDR/400



Splice/Patch module (Variobox 1HU)



Splice/Patch module (Lightbox 2HU)



Patch module (Jumperbox)



MDR/400 base frame with annex frames left and right

General Information

The distributing rack MDR/400 is designed for use in larger network nodes equipped with a high number of network components.

Its low mounting depth and the possibility of flexibly creating rack rows via lateral and rear extension ensures an optimum configuration in line with customer requirements and allows integration into existing customer environment. The distribution rack complies with the housing system standards 19" or ETSI.

Features

- Mounting depth of 400mm complies with requirements of modern network nodes both in the telecommunications and in the in-house network areas
- Maximized patch cord capacity in the annex frames by flexible redirection elements
- Very fast installation by pre-assembled frames (base frame and annex frames)
- Possibility of creating rows via lateral and rear extension and the high packing density in combination with flexible cable routing ensures an optimum handling

- Flexible cable routing and storage for an optimal system connection
- Configurable and easily expandable patch cord management system
- High storage capacity for breakout and jumper cables in the rear part of the annex frames
- Cable entries at the top, at the bottom; additional via openings between the frames
- Modular system for optimum configuration according to customer requirements, starting from open distribution racks to fully closed cabinet systems with various locking options
- Standardized system technology (19" or ETSI)

Material

- Frame, door, rear panel: Sectional steels as well as sheet steel of different thickness

Surface

- Powder-coated similar to RAL 7035, sheet steel of different sizes, zinc plated, blue chromated

Dimensions

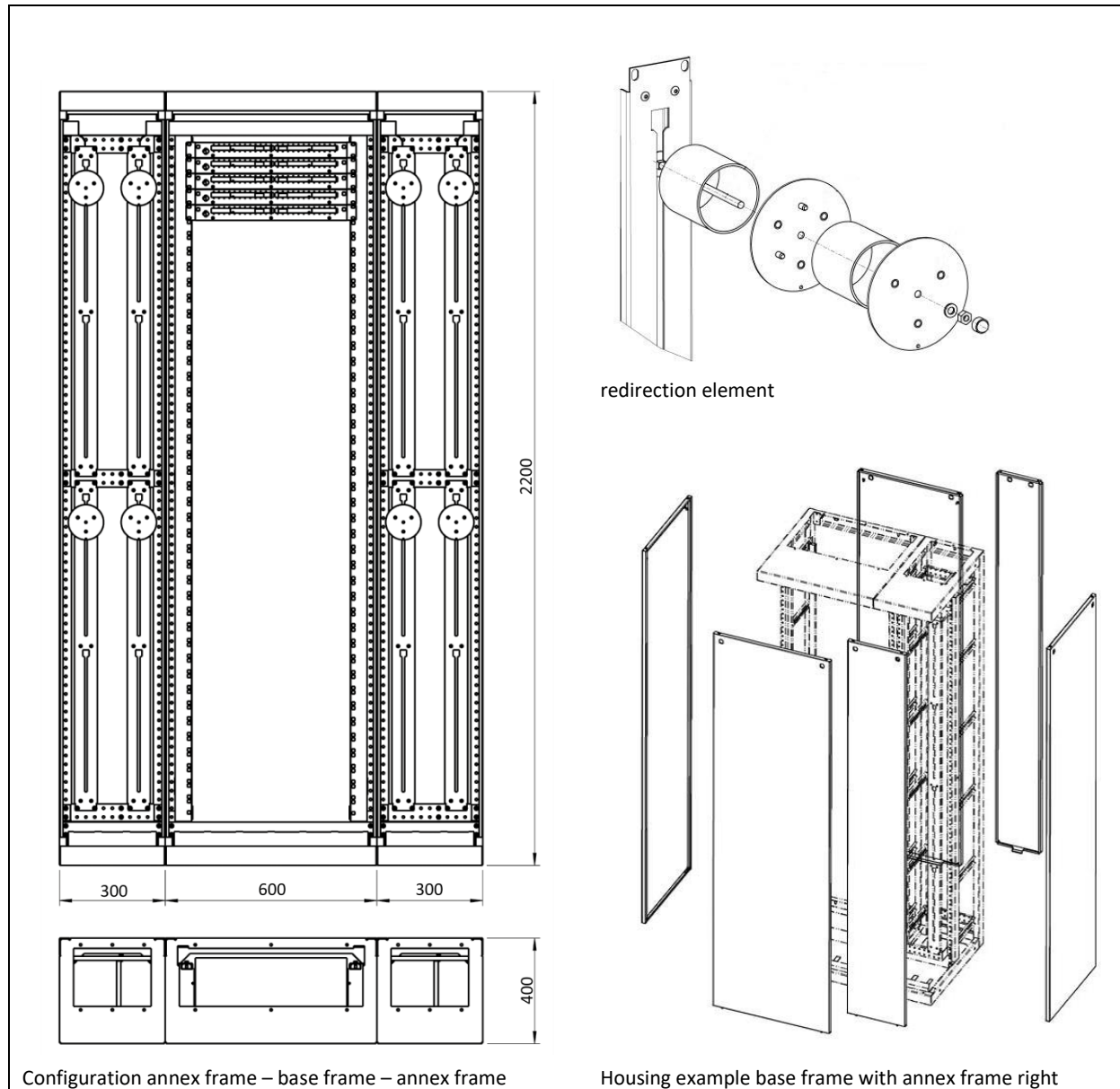
- Configuration annex frame – base frame – annex frame (WHD): 1200 x 2200 x 400mm

Design

- ETS rack equipment practice according to IEC 60917-2-1 & IEC 60917-2-2 for accepting system components according to 19" or ETSI standards, open or closed (depending on configuration)

The MDR/400 can accommodate

- Splice/Patch modules, patch modules, transverse connection panels, active components



Configuration annex frame – base frame – annex frame

Housing example base frame with annex frame right